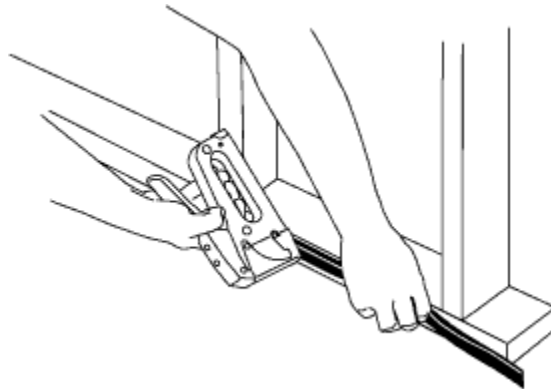


EPDM Building Gaskets

ADA GASKETS: ADA gaskets are stapled to wall studs, top plates, and bottom plates before drywall is installed in order to prevent air flow between the drywall and the wood. They can be easily installed in any weather, even when wood is cold, wet, or dirty. The head of the seal compresses easily to less than 1/8", so there is minimal pressure on the drywall. Always screw the drywall where gaskets are used.



BG32 is supplied as a double extrusion:
tear it in half before installation.



Staple BG32 to the edge of bottom plates, top plates, and corner studs.
On bottom plates the hollow side should be up;
on top plates the hollow side should be down.

BUILDING GASKETS: Building gaskets are designed to seal under heavy loads, such as under sill plates, wall plates, roof panels, wall panels, and rim joists. Since they are effective moisture barriers, they eliminate the need for damp proofing between wood and masonry or concrete foundations. We stock three sizes: BG65 for 2 x 6's, BG63 for 2 x 4's, and BG61 for edges of rim joists, joints in exterior foam sheathing, or connections between stress-skin panels and posts or purlins.



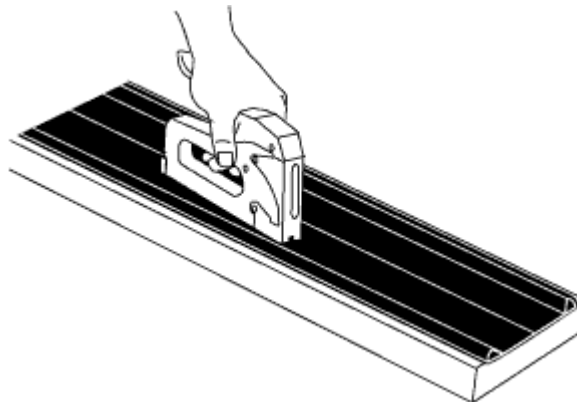
BG61 for rim joists



BG63 for 2x4 plates



BG65 for 2x6 plates



Staple the building gasket to the underside of a sill plate with the flat side of the gasket against the wood; then flip the wood over.